



## NORDIC CCM1448 SERIES

MODULAR CUBED ICE MAKER



Ice maker shown on B1048SS bin

### FEATURES:

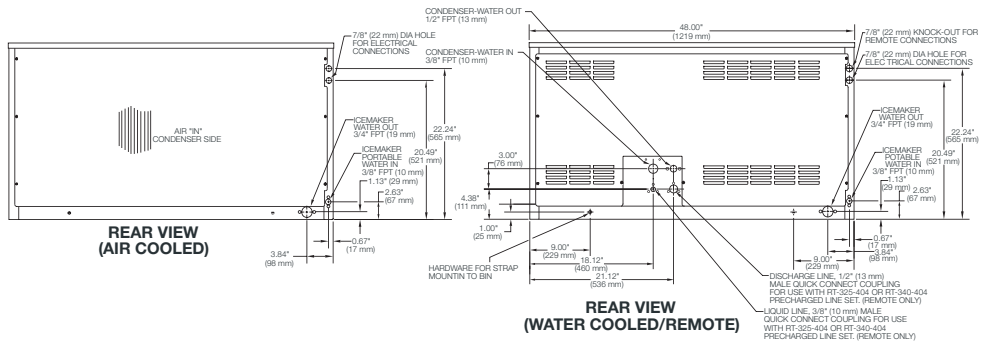
- Produces up to 1469 lbs. (668 Kgs.) of ice per day
- Constructed from corrosion-resistant stainless steel
- Built in Agion Antimicrobial product protection effective against mold, mildew and fungus
- Ultra-low profile – only 26 inches (660 mm) tall
- Harvest assist reduces utility consumption
- Choice of full or half cube size
- No air filter to clean or replace

Protected by Agion



Nature's antimicrobial

**Dimensions and Air Flow**



**OPERATING LIMITS**

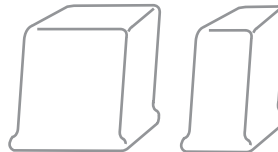
Ambient Temp. Range Air & Water	50° - 110°F (10° - 43°C)
Water Temp. Range	40° - 100°F (4.5° - 38°C)
Water Pressure Ice Maker Water in	Min. 20 psi (1.4 bar)
	Max. 60 psi (4.1 bar)
Condenser Inlet Water (Water cooled only)	Min. 20 psi (1.4 bar)
	Max. 60 psi (4.1 bar)

MODEL NO.	Cond. Unit	Ice Prod. per 24 hrs. at 70° Air / 50° Water lbs. (Kgs.)	Ice Prod. per 24 hrs. at 90° Air / 70° Water lbs. (Kgs.)	Water Used-Gals. (Ltrs.) per 100 lbs. of ice 90° Air / 70° Water		Kilowatts Used per 100 lbs. of ice 90° Air / 70° Water	Heat Rejection (Btuh)	Electrical Rating	Min. Circuit Amp.
				Ice Prod. Use	Cond. Use				
CCM1448A*21	Air	1469 (668)	1109 (504)	20.5	n/a	5.3	21957	208-230/60/1	26.1
CCM1448W*21	Water	1386 (630)	1239 (563)	22.8	122	4.2	21994	208-230/60/1	17.8
CCM1448R*21	Remote	1391 (632)	1150 (523)	20.3	n/a	5.0	22126	208-230/60/1	22.2
CCM1448A*51	Air	1371 (623)	1070 (486)	19.7	n/a	5.3	21185	230/50/1	19.7
CCM1448W*51	Water	1386 (630)	1185 (539)	22.6	111	4.2	21035	230/50/1	15.1
CCM1448R*51	Remote	1419 (645)	1139 (518)	21.4	n/a	5.2	22339	230/50/1	21.9

MODEL NO.	Description	Shipping Weight lbs. (Kgs.)
RC14002C	Remote Condenser for 1 model CCM1448R (208-230/50-60/1 voltage)	100 (46)
RT25	25 ft. (7.6m) Precharged Tubing Kit for R-404A models	13 (6)
RT40	40 ft. (12m) Precharged Tubing Kit for R-404A models	18 (8)
RT60	60 ft. (18.2m) Precharged Tubing Kit for R-404A models	26 (12)

See Bin specification sheet for information on ice storage bins.  
 \* Represents cube size. For full cube substitute an "F", for half cube substitute an "H".  
 Please note: air-cooled units require 6" (152 mm) clearance for air intake and exhaust.

- NUMBER OF WIRES . . . . . 3
- MAX. FUSE SIZE . . . . . Water 20,  
Air/Remote 30
- SHIPPING WEIGHT LBS (KGS.) . . 300 (136)
- AGENCY LISTINGS . . . . .



Cube Size:	Width	Depth	Height
Full	7/8" (22mm)	7/8" (22mm)	7/8" (22mm)
Half	3/8" (10mm)	7/8" (22mm)	7/8" (22mm)



IN THE U.S.A.  
 Ph: 800.238.3600  
 Fax: 763.488.4283

OUTSIDE THE U.S.A.  
 Ph: 763.488.8200  
 Fax: 763.488.4283

101 Broadway Street West  
 Osseo, MN 55369  
 www.cornelius.com